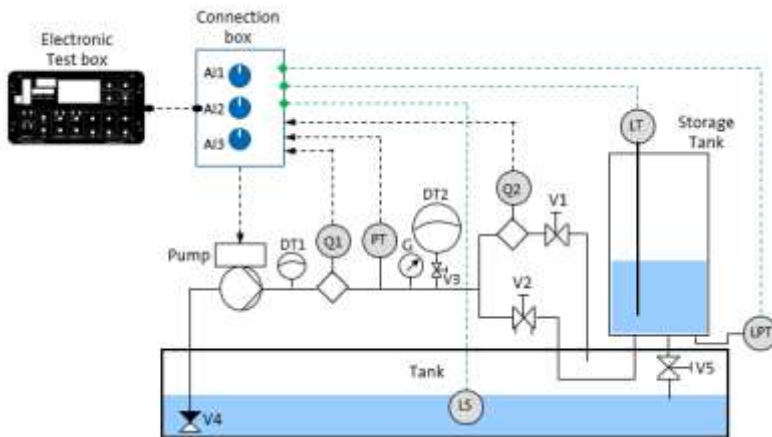


I-SOLUTION 單點液位控制



The level module consists of the following components:

- Storage tank: HxD = 90x29 cm, => 59 liter max.
(Steel tank = LxWxH = 100x60x30 cm, => 180 liter max.)
- LT: Level transmitter, 0 – 0.8m, 4-20mA
- LPT: Level pressure transmitter, 0-0.25bar, 4-20mA
- LS: Level switch to detect low level in main tank. (Not present yet)
- Screened cables with XLR connectors for connecting sensors to the Connection Box
- V5: Emptying valve

By means of this module, we can simulate constant level control based either on the level sensor LT or via pressure transmitter placed at the bottom of the storage tank.

Further more water shortage in the main tank can be detected via the level switch LS. (PS! Level switch not present yet).