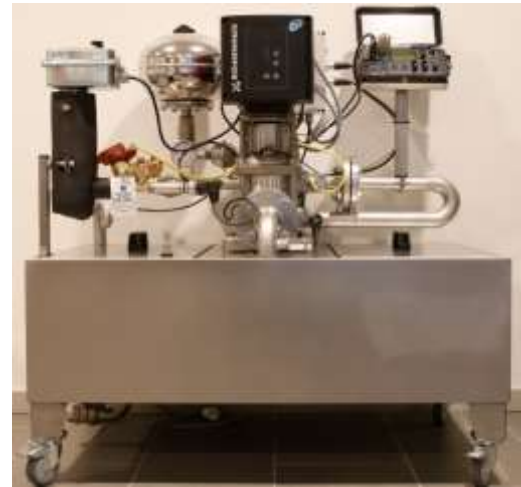
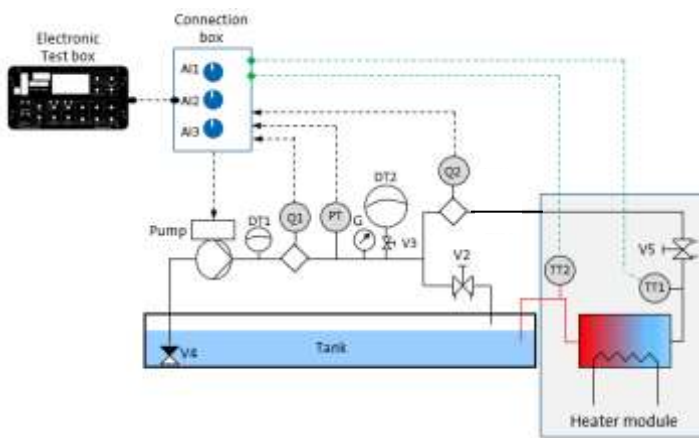


I-SOLUTION 單點溫度控制



The Temperature module consists of the following components:

- A small storage tank with a 370W electrical heating element. The heater includes a thermostat, which can be set to a setpoint in the range 30-90 °C. The heater also include an over temperature protection with reset button.
- V5: A commissioning valve making is possible to adjust a specific, low flow in the heater
- TT1: Temperature transmitter 1, inlet temperature, 0-100°C, 4-20mA
- TT2: Temperature transmitter 2, outlet temperature, 0-100°C, 4-20mA



By means of this module, we can simulate constant temperature control as well as differential temperature control, based on the two temperature transmitters placed in the module.