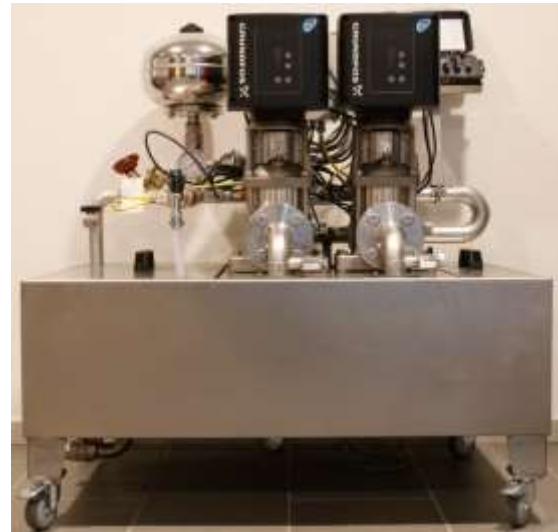
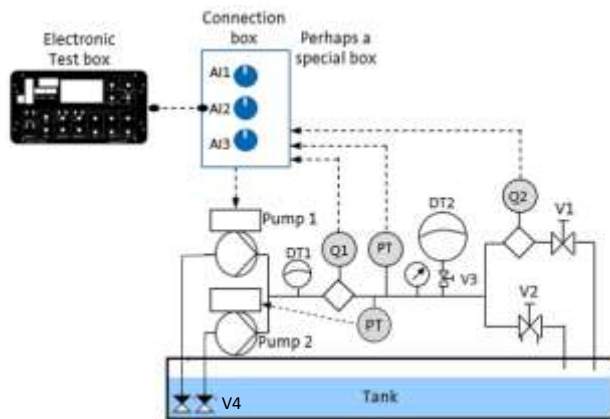


I-SOLUTION 多台恆壓變頻泵浦控制



Pump 1 is connected to the Connection box having the possibility to use all three standard sensors. An extra pressure transmitter is mounted and connected directly to Pump 2.

The demo consist of the following components:

- Pumps: CRNE3-5 with a 0.75 kW MGE
- PT: Pressure transmitters, 0-10 bar, 4-20 mA
- Q1: Flow transmitter, 0.0 – 12 m³/h, 4-20 mA
- Q2: Flow transmitter, 0.0 – 6 m³/h, 4-20 mA
- DT1: Diaphragm tank, 0.16 litres
- DT2: Diaphragm tank, 5 litres
- G: Pressure gauge
- V1: Normal tap
- V2: Commissioning valve with setting scale
- V3: Shut-off valve for diaphragm tank

V4: Bottom valves for the two pumps

